

Job Name:

System Reference:

Date:

Indoor Unit:

PKA-A18HA7

Outdoor Unit:

 PUZ-A18NKA7 PUZ-A18NKA7-BS**INDOOR UNIT FEATURES**

- Sleek, compact design
- Simple installation
- Vane setting for air flow direction control
- Auto fan speed mode
- Ideal for spaces such as server rooms, daycare centers, classrooms, churches, small offices, and more

OUTDOOR UNIT FEATURES

- Variable speed INVERTER-driven compressor
- Suction accumulator pre-charged with refrigerant volume for piping length up to 100 ft (70 ft. for A12/18/24/30)
- 24-hour continuous operation (cooling mode)
- High pressure protection
- Fast restart due to bypass valve make it ideal for equipment cooling applications, such as data centers
- Superior energy and operational efficiency

SPECIFICATIONS: PKA-A18HA7 & PUZ-A18NKA7(-BS)

| Model number | Indoor unit | | PKA-A18HA7 |
|---------------------|--|---------|----------------------------|
| | Outdoor unit | | PUZ-A18NKA7 |
| | | | PUZ-A18NKA7-BS |
| Cooling*1 | Maximum Capacity | Btu/h | 18,000 |
| | Rated Capacity | Btu/h | 18,000 |
| | Minimum Capacity | Btu/h | 8,000 |
| | Maximum Power Input | W | 1,820 |
| | Rated Power Input | W | 1,820 |
| | Moisture Removal | Pints/h | 5.20 |
| | Sensible Heat Factor | | 0.68 |
| | Power factor | % | 95.30 |
| Heating at 47° F*2 | Maximum Capacity | Btu/h | 22,000 |
| | Rated Capacity | Btu/h | 19,000 |
| | Minimum Capacity | Btu/h | 7,700 |
| | Maximum Power Input | W | 1,800 |
| | Rated Power Input | W | 1,300 |
| | Power factor | % | 94.20 |
| Heating at 17° F *3 | Maximum Capacity | Btu/h | 13,900 |
| | Rated Capacity | Btu/h | 11,300 |
| | Maximum Power Input | W | 1,430 |
| | Rated Power Input | W | 1,340 |
| Efficiency | SEER | | 18.50 |
| | EER *1 | | 9.90 |
| | HSPF (IV) | | 10.20 |
| | COP at 47° F *2 | | 4.28 |
| | COP at 17° F *3 | | 2.47 |
| Electrical | Voltage, Phase, Frequency | | 208 / 230V, 1-phase, 60 Hz |
| | Guaranteed Voltage Range | V AC | 187 - 253 |
| | Voltage: Indoor - Outdoor, S1-S2 | V AC | 208V / 230 |
| | Voltage: Indoor - Outdoor, S2-S3 | V DC | 24 |
| | Voltage: Indoor - Remote controller | V DC | 12 |
| | Recommended Fuse/Breaker Size | A | 15 |
| | Recommended Wire Size (Indoor - Outdoor) | AWG | 14 |
| Indoor unit | MCA | A | 1.00 |
| | Fan Motor Full Load Amperage | A | 0.33 |
| | Fan Motor Output | W | 30 |

SPECIFICATIONS: PKA-A18HA7 & PUZ-A18NKA7(-BS)

| Model number | Indoor unit | | PKA-A18HA7 | |
|---|---|-------------|-----------------------------|--|
| | Outdoor unit | | PUZ-A18NKA7 | |
| | | | PUZ-A18NKA7-BS | |
| | Airflow Rate, Dry | CFM | 320-370-425 | |
| | Airflow Rate, Wet | CFM | 290-335-380 | |
| | Sound Pressure Level | dB(A) | 36-40-43 | |
| | Drain Pipe Size | In. (mm) | 5/8 (16) | |
| | Heat Exchanger Type | | Plate fin coil | |
| | External Finish Color | | White Munsell 1.0Y 9.2/0.2 | |
| | Unit Dimensions | W: In. (mm) | 35-3/8 (898) | |
| | | D: In. (mm) | 9-13/16 (249) | |
| | | H: In. (mm) | 11-5/8 (295) | |
| | Package Dimensions | W: In. | 39-6/16 | |
| | | D: In. | 15-12/16 | |
| | | H: In. | 13-6/16 | |
| | Unit Weight | Lbs. (kg) | 29 (13) | |
| | Package Weight | Lbs. | 33 | |
| Indoor unit operating temperature range | Cooling Intake Air Temp (Maximum / Minimum) | ° F | 90 DB, 73 WB / 66 DB, 59 WB | |
| | Heating Intake Air Temp (Maximum / Minimum) | ° F | 82 DB / 50 DB | |
| Outdoor unit | MCA | A | 11 | |
| | MOCP | A | 28 | |
| | Fan Motor Full Load Amperage | A | 0.5 | |
| | Fan Motor Output | W | 46 | |
| | Airflow Rate | CFM | 1,590 | |
| | Refrigerant Control | | Electronic Expansion Valve | |
| | Defrost Method | | Reverse Cycle | |
| | Heat Exchanger Type | | Cross fin | |
| | Sound Pressure Level, Cooling*1 | dB(A) | 44 | |
| | Sound Pressure Level, Heating*2 | dB(A) | 46 | |
| | Compressor Type | | INVERTER-driven twin rotary | |
| | Compressor Model | | SNB130FNCM2 | |
| | Compressor Rated Load Amps | A | 7 | |
| | Compressor Locked Rotor Amps | A | 12 | |
| | Compressor Oil Type // Charge | oz. | FV50S // 16 | |
| | External Finish Color | | Ivory Munsell 3Y 7.8/1.1 | |

SPECIFICATIONS: PKA-A18HA7 & PUZ-A18NKA7(-BS)

| Model number | Indoor unit | | PKA-A18HA7 |
|--|---|-------------|-----------------------------|
| | Outdoor unit | | PUZ-A18NKA7 |
| | | | PUZ-A18NKA7-BS |
| | Base pan heater | | n/a |
| | Unit Dimensions | W: In. (mm) | 31-13/16 + 7/16 (809+62) |
| | | D: In. (mm) | 11-3/16 (300) |
| | | H: In. (mm) | 24-13/16 (630) |
| | Package Dimensions | W: In. | 37-1/16 |
| | | D: In. | 16-3/16 |
| | | H: In. | 27-7/16 |
| | Unit Weight | Lbs. | 100 (45) |
| | Package Weight | Lbs. | 104 (47) |
| Outdoor unit operating temperature range | Cooling Intake Air Temp (Maximum / Minimum) | °F | 115 DB / 0* DB |
| | Heating Intake Air Temp (Maximum / Minimum) | °F | 70 DB, 59 WB / 12 DB, 10 WB |
| | Thermal Lock-out / Re-start Temperatures** | °F | 8 / 12 DB |
| Refrigerant | Type | | R410A |
| | Charge | Lbs, oz | 4 lbs, 14 oz |
| Piping | Gas Pipe Size O.D. (Flared) | In.(mm) | 1/2 (12.7) |
| | Liquid Pipe Size O.D. (Flared) | In.(mm) | 1/4 (6.35) |
| | Maximum Piping Length | Ft. (m) | 100 (30) |
| | Maximum Height Difference | Ft. (m) | 100 (30) |
| | Maximum Number of Bends | | 15 |

| | | | |
|--|--|----|--------------------------------------|
| AHRI Rated Conditions (Rated data is determined at a fixed compressor speed) | *1 Cooling (Indoor // Outdoor) | °F | 80°F DB, 67°F WB // 95°F DB, 75°F WB |
| | *2 Heating at 47°F (Indoor // Outdoor) | °F | 70°F DB, 60°F WB // 47°F DB, 43°F WB |
| | *3 Heating at 17°F (Indoor // Outdoor) | °F | 70°F DB, 60°F WB // 17°F DB, 15°F WB |
| Conditions | *4 Heating at 5°F (Indoor // Outdoor) | °F | 70°F DB, 60°F WB // -4°F DB, -5°F WB |

Notes

*Wind baffles required to operate below 23°F DB in cooling mode. PUZ with wind baffle: 0°F - 115°F.

**System cuts out in heating mode to avoid thermistor error and automatically restarts at these temperatures

SEACOAST PROTECTION

External Outer Panel: Phosphate coating + Acrylic-Enamel coating

Fan Motor Support: Epoxy resin coating (at edge face)

Separator Assembly; Valve Bed: Epoxy resin coating (at edge face)

SPECIFICATIONS: PKA-A18HA7 & PUZ-A18NKA7(-BS)

“Blue Fin” treatment is an anti-corrosion treatment that is applied to the condenser coil to protect it against airborne contaminants.

Notes:

ACCESSORIES: PKA-A18HA7 & PUZ-A18NKA7(-BS)

| PKA-A18HA7 | |
|---|--|
| 3-Pole Disconnect Switch (30A/600V/UL) [fits 2" X 4" utility box] | <input type="checkbox"/> TAZ-MS303 |
| Drain Pan Level Sensor (Control for indoor unit shut off to prevent drain pan overflow) | <input type="checkbox"/> DPLS2 |
| Advanced Blue Diamond Mini-Condensation pump w/ Reservoir & Sensor (110V) | <input type="checkbox"/> X87-711 - 110 |
| Advanced Blue Diamond Mini-Condensation pump w/ Reservoir & Sensor (208/230V) | <input type="checkbox"/> X87-721 - 208/230 |
| MicroBlue Blue Diamond Mini Condensate Pump (110/208/230V) | <input type="checkbox"/> XA5-003 |
| Extension Cord for Blue Diamond Pump | <input type="checkbox"/> C13-103 |
| Sauermann Mini-Condensation pump (115V) | <input type="checkbox"/> SI30-115 |
| Sauermann Mini-Condensation pump (230V) | <input type="checkbox"/> SI30-230 |
| MegaBlue Blue Diamond Condensate Pump (110-230V) | <input type="checkbox"/> X87-835 |
| Remote Sensor (extensible) | <input type="checkbox"/> PAC-SE41TS-E |
| Connector for CN32 (remote ON/OFF) | <input type="checkbox"/> PAC-SE55RA-E |
| Connector for CN152 (Back up heating) | <input type="checkbox"/> PAC-SE59RA-E |
| External fan / Heater control relay adapter | <input type="checkbox"/> CN24RELAY-KIT-CM3 |
| Backlit, wall-mounted, wireless | <input type="checkbox"/> MHK1 |
| Wireless Remote Controller | <input type="checkbox"/> MRCH1 |
| Wireless Receiver | <input type="checkbox"/> MFH1 |
| Portable Central Controller | <input type="checkbox"/> MCCH1 |
| Outside Air Sensor | <input type="checkbox"/> MOS1 |
| Wireless adapter | <input type="checkbox"/> PAC-USWHS002-WF-1 |
| BACnet® and Modbus Interface | <input type="checkbox"/> PAC-UKPRC001-CN-1 |
| Wall-mounted, Wired | <input type="checkbox"/> PAC-YT53CRAU-J |
| Wired remote controller | <input type="checkbox"/> PAR-32MAA-J |
| T-STAT Interface | <input type="checkbox"/> PAC-US444CN-1 |
| Wired remote controller | <input type="checkbox"/> PAR-32MAA |
| Simple remote controller | <input type="checkbox"/> PAC-YT53CRAU |
| Wireless Remote Controller | <input type="checkbox"/> PAR-FL32MA-E |
| Wire for Remote ON/OFF with CN32 connector | <input type="checkbox"/> PAC-715AD |
| Lockdown Bracket for wireless, hand-held, remote controllers | <input type="checkbox"/> RCMKP1CB |

| PUZ-A18NKA7(-BS) | |
|-----------------------|---------------------------------------|
| Air Outlet Guide | <input type="checkbox"/> PAC-SJ07SG-E |
| Front Wind Baffle | <input type="checkbox"/> WB-PA4 |
| Drain socket | <input type="checkbox"/> PAC-SJ08DS-E |
| Centralized Drain Pan | <input type="checkbox"/> PAC-SG63DP-E |
| M-NET Converter | <input type="checkbox"/> PAC-SJ19MA-E |

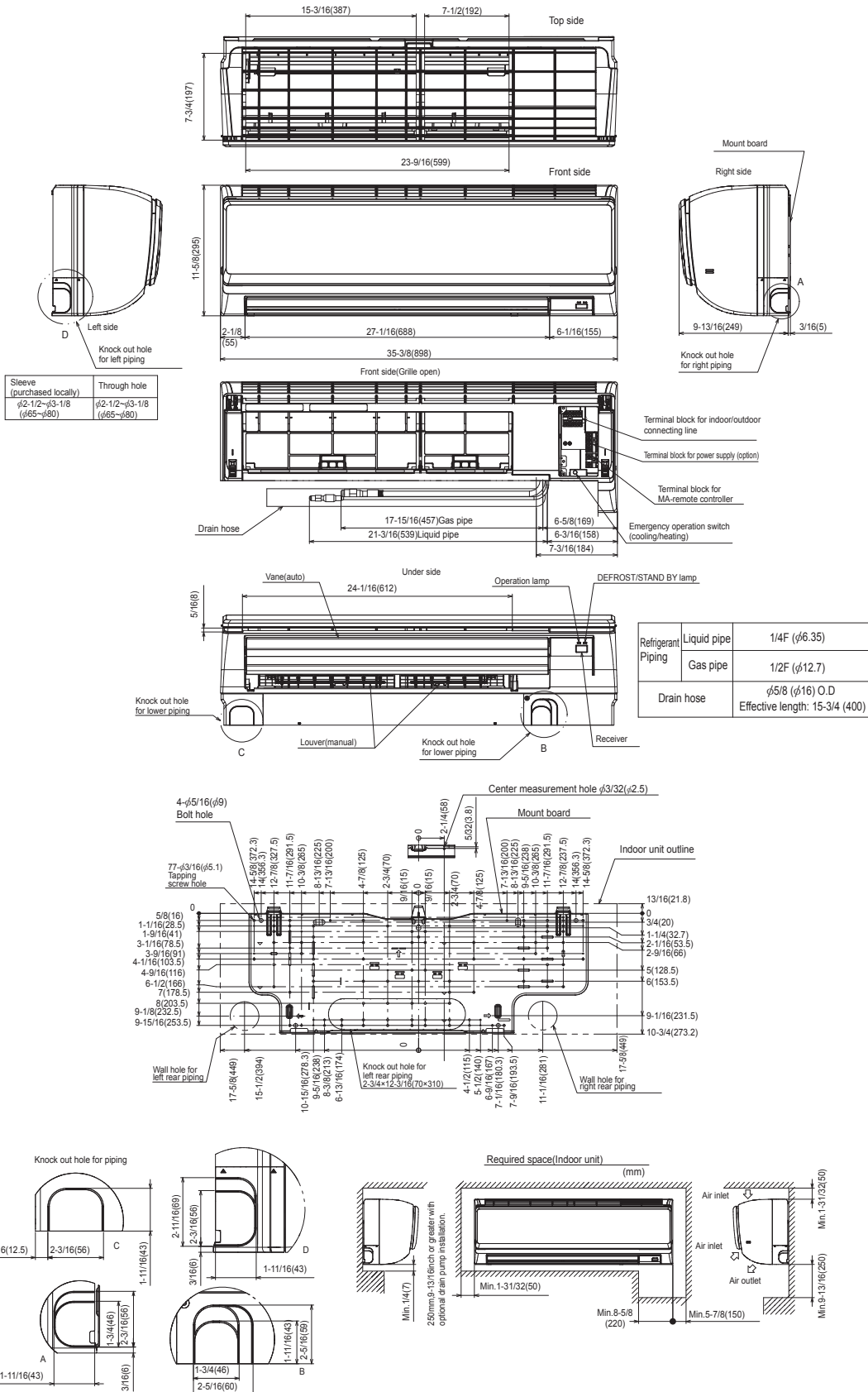
ACCESSORIES: PKA-A18HA7 & PUZ-A18NKA7(-BS)

| PUZ-A18NKA7(-BS) | |
|--|---|
| Control/Service Tool | <input type="checkbox"/> PAC-SK52ST |
| Wall mounting bracket (powder-coated steel) | <input type="checkbox"/> QCWB2000M-1 |
| Wall mounting bracket (316 Series Stainless Steel) | <input type="checkbox"/> QCWBSS |
| M-NET control adapter for Building Management System | <input type="checkbox"/> PAC-SF83MA-E |
| Outdoor Unit Mounting Pad 16" x 36" x 3" | <input type="checkbox"/> ULTRILITE1 |
| Outdoor Unit 3-1/4 inch Mounting Base - Pair (Plastic) | <input type="checkbox"/> DSD-400N |
| MiniSplit Mounting Stand-Single Fan models - 12" | <input type="checkbox"/> QSMS1201M |
| MiniSplit Mounting Stand-Single Fan models - 18" | <input type="checkbox"/> QSMS1801M |
| MiniSplit Mounting Stand-Single Fan models - 24" | <input type="checkbox"/> QSMS2401M |
| 1/4 x 1/2 x 15' / 1/2" Lineset (Twin-Tube Insulation) | <input type="checkbox"/> MLS141212T-15 |
| 1/4 x 1/2 x 30' / 1/2" Lineset (Twin-Tube Insulation) | <input type="checkbox"/> MLS141212T-30 |
| 1/4 x 1/2 x 50' / 1/2" Lineset (Twin-Tube Insulation) | <input type="checkbox"/> MLS141212T-50 |
| 1/4 x 1/2 x 65' / 1/2" Lineset (Twin-Tube Insulation) | <input type="checkbox"/> MLS141212T-65 |
| 1/4 x 1/2 x 100' / 1/2" Lineset (Twin-Tube Insulation) | <input type="checkbox"/> MLS141212T-100 |

DIMENSIONS: PKA-A18HA7 & PUZ-A18NKA7 (-BS)

PKA-A18HA7

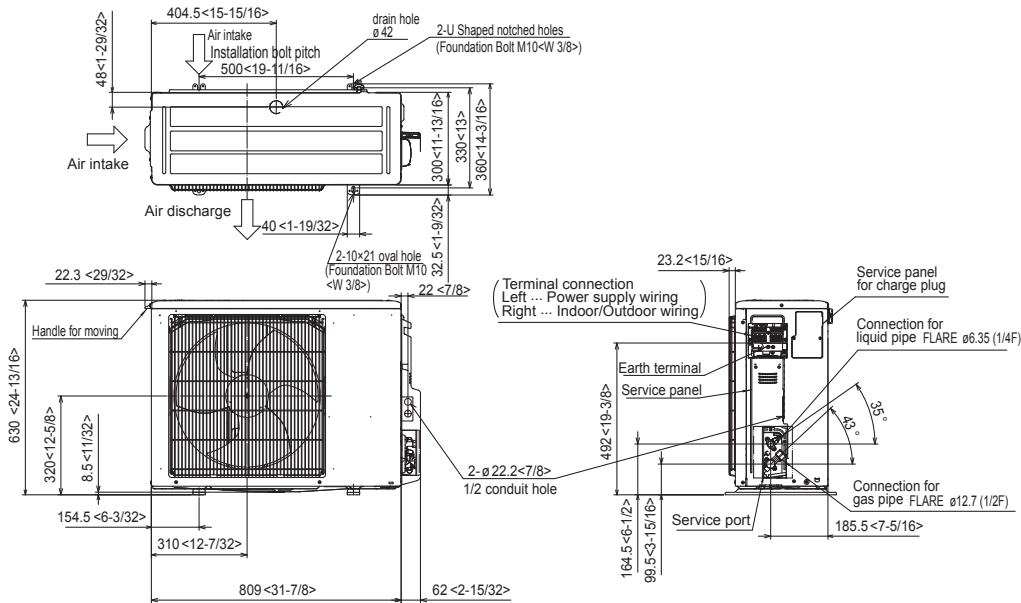
Unit: inch (mm)



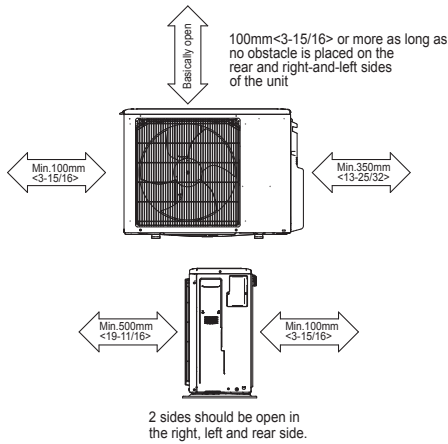
DIMENSIONS: PKA-A18HA7 & PUZ-A18NKA7 (-BS)

PUZ-A18NKA7(-BS)

Unit: mm<in>



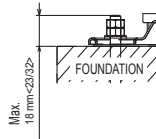
Free space around the outdoor unit (basic example)



FOUNDATION BOLTS

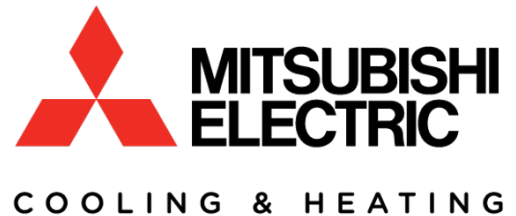
Please secure the unit firmly with 4 foundation (M10<W3/8>) bolts. (Bolts, washers and nut must be purchased locally).

<Foundation bolt height>



PIPING-WIRING DIRECTION

Piping and wiring connection can be made from the rear direction only.



1340 Satellite Boulevard, Suwanee, GA 30024
 Toll Free: 800-433-4822 www.mehvac.com

FORM# PKA-A18HA7 / PUZ-A18NKA7(-BS) - 201702Ver2



Specifications are subject to change without notice.

Copyright © 2017 Mitsubishi Electric US, Inc.